



ENGINE

Model	Yanmar 3TNV88F-E
Emissions Certification	Tier 4 Final
Fuel	Diesel
Cylinders	3
Displacement	100 in ³ (1.6 L)
Fuel injection	Mechanical w/ electronic governor
Fuel injection pump	Direct
Net horsepower – SAE J1349 @ 2400 RPM:	23.1 hp (17.2 kW)
Cooling	Water-cooled

DRIVETRAIN

Travel speeds:	
1st	1.6 mph (2.5 kph)
2nd	2.7 mph (4.4 kph)
Drawbar pull	8,655 lb (38.5 kN)
Gradeability	30° Slope

ELECTRICAL

Voltage	12 Volts
Alternator rating	24 amp
Battery	12-volt low-maintenance

OPERATOR ENVIRONMENT

ROPS/FOPS three post canopy; Pilot operated hand controls and foot pedals; Adjustable seat w/ seat belt; Arm rests.

Display includes:

Engine oil pressure; Water temperature lamp;
Low fuel warning lamp; Battery charge lamp;
Water temperature gauge; Fuel gauge
and hour meter.

OPERATING WEIGHT

Cab operating weight w/ counterweight	8,554 lb (3 880 kg) +551 lb (250 kg)
Canopy operating weight w/ counterweight	8,212 lb (3 725 kg) +551 lb (250 kg)

NOTE: w/ operator/full fuel/standard equipment.

HYDRAULICS

Main pumps	Tandem variable displacement/ axial piston pump
Max. rated flow x 2	10.1 gpm (38.4 L/min)
Auxiliary flow	15.2 gpm (57.6 L/min)
System relief pressure:	
Standard	3,336 psi (230 bar)

Pilot control hydraulic system:

Pump	Gear pump
Maximum capacity	2.9 gpm (10.8 L/min)
Relief pressure	508 psi (35 bar)

Control valves:

Pilot control for left /right track travel, boom,
arm, bucket and swing.
Manual control for breaker and backfill blade.

Swing/Dozer blade:

Motor	Fixed displaced axial piston
-------	---------------------------------

Travel:

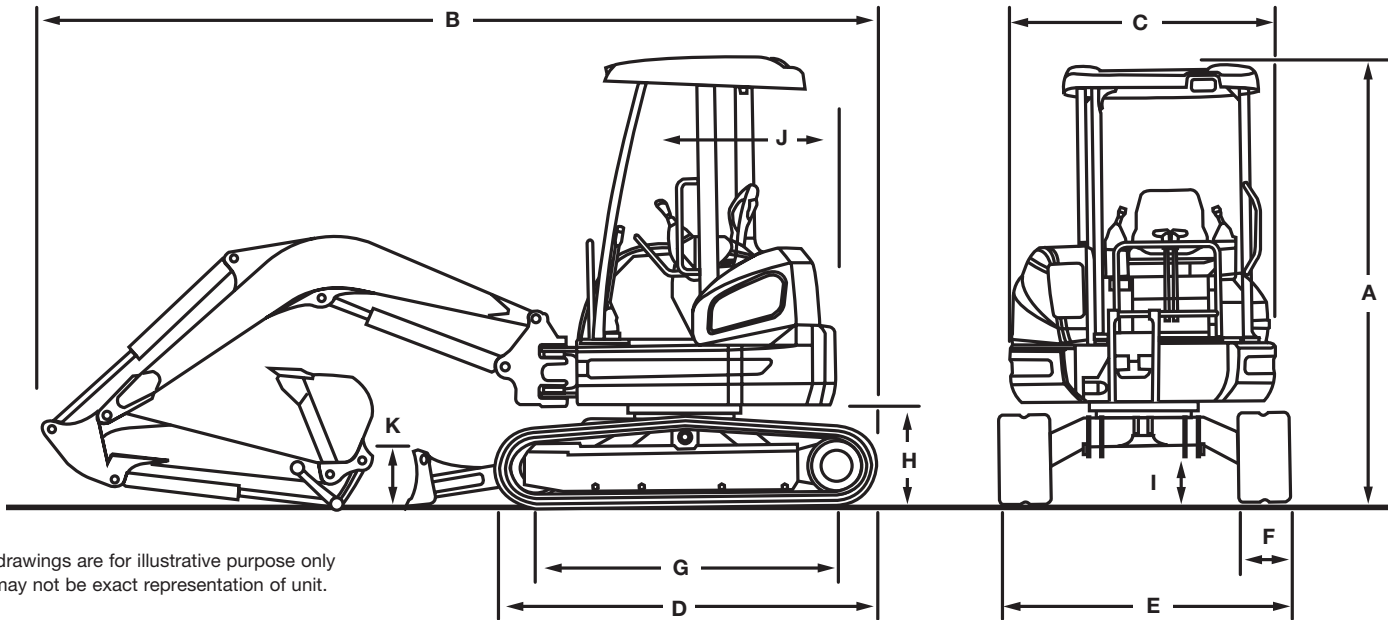
Motors – 2	Two-speed axial piston
Final drive	Planetary gear reduction

SERVICE CAPACITIES

Fuel tank	11 gal (42 L)
Hydraulic tank:	
Refill capacity	5.4 gal (20.4 L)
Total system	11.8 gal (44.8 L)
Engine oil w/ filter change	1.5 gal (5.5 L)
Radiator	1.2 gal (4.6 L)

OTHER SPECIFICATIONS

Swing speed	0 – 8.4 RPM
Swing brake	Spring applied, hydraulically released w/ dual cushion relief
Undercarriage:	
Top tracks – each	1 roller
Bottom tracks – each	4 rollers
Boom:	
Swing	70° left /60° right
Length	8 ft 2 in (2 490 mm)
Arm:	
Length	4 ft 4 in (1 320 mm)



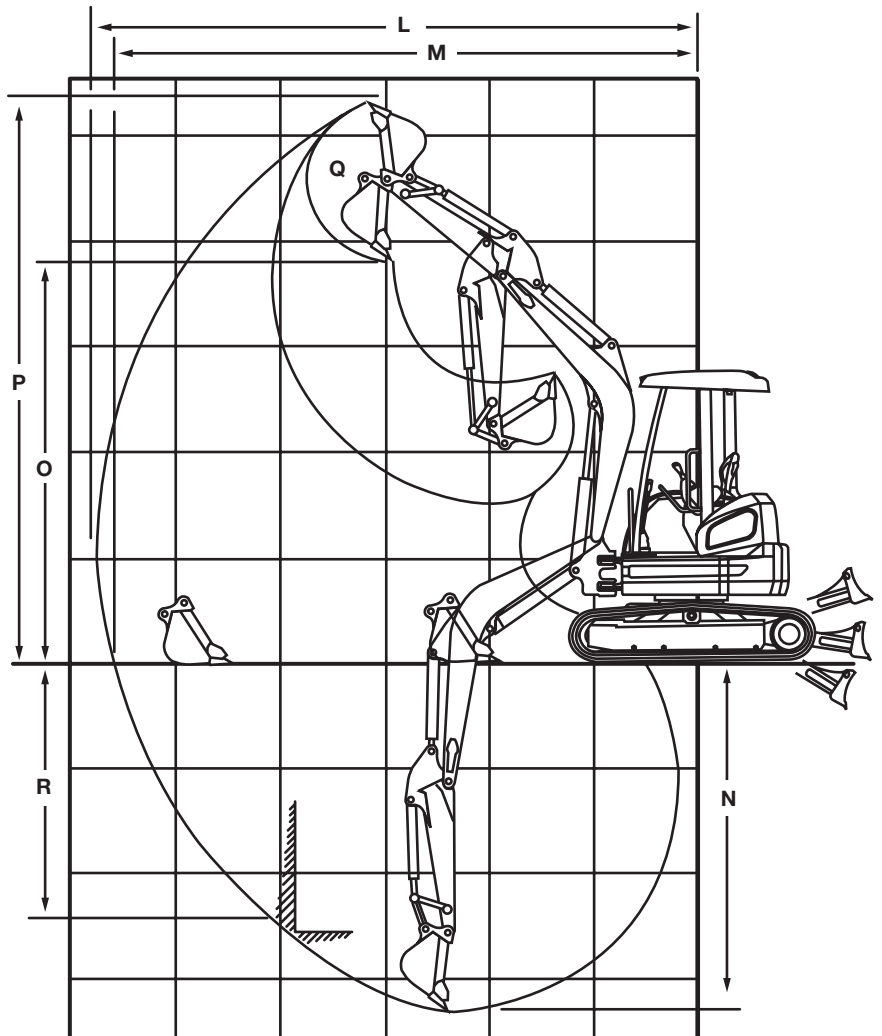
Line drawings are for illustrative purpose only and may not be exact representation of unit.

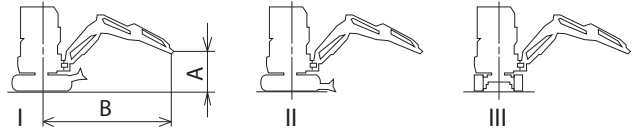
DIMENSIONS

	4 ft 6 in (1.37 m) Arm
A. Overall height	8 ft 3 in (2 510 mm)
B. Overall length	15 ft 10 in (4 820 mm)
C. Width of upper structure	5 ft 0 in (1 530 mm)
D. Track overall length	7 ft 1 in (2 160 mm)
E. Track overall width with 11.8 in (300 mm) shoes	5 ft 7 in (1 700 mm)
F. Track shoe width	11.8 in (300 mm)
G. Center to center - idler to sprocket	5 ft 7 in (1 700 mm)
H. Upper structure ground clearance	1 ft 10 in (570 mm)
I. Minimum ground clearance	11.8 in (300 mm)
J. Tail swing radius	2 ft 10 in (850 mm)
K. Backfill blade height	1 ft 2 in (345 mm)
Working weight	8,554 lb (3 880 kg)
Ground pressure	4.7 psi (32.4 kPa)
Boom swing	70° left /60° right
Tail swing overhang	0 ft 0 in (0 m)

PERFORMANCE SPECS

	4 ft 6 in (1.37 m) Arm
L. Maximum dig radius	17 ft 7 in (5 350 mm)
M. Dig radius at groundline	17 ft 1 in (5 200 mm)
N. Maximum dig depth	10 ft 0 in (3 050 mm)
O. Dump height	11 ft 5 in (3 490 mm)
P. Overall reach height	16 ft 0 in (4 870 mm)
Q. Bucket rotation	178°
R. Vertical straight wall dig depth	8 ft 1 in (2 470 mm)
Arm digging force	5,036 lb (22.4 kN)
Bucket digging force: 2 position bucket	6,227 lb (27.7 kN)





Cab model without ACW — 4 ft 6 in (1.4 m) Arm

Lift capacities calculated using 11.8 in (300 mm) shoes, without bucket, blade up/down.

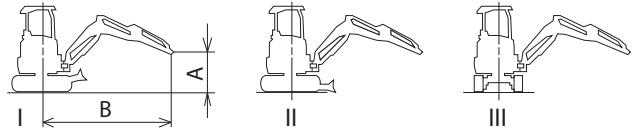
Load (Lift Point Height) A	B	5 ft (1.5 m)		7.5 ft (2.3 m)		10 ft (3.0 m)		12.5 ft (3.8 m)		15 ft (4.6 m)		MAXIMUM REACH		
		I END II END	III SIDE	I END II END	III SIDE	I END II END	III SIDE	I END II END	III SIDE	I END II END	III SIDE	@	I END II END	III SIDE
+12.5 ft (3.8 m)												11 ft 6 in (3.52 m)	1,600 lb (720 kg) 1,820 lb* (820 kg)*	1,510 lb (680 kg)
+10 ft (3.0 m)								1,420 lb (640 kg) 1,730 lb* (780 kg)*	1,340 lb (600 kg)			13 ft 6 in (4.12 m)	1,240 lb (560 kg) 1,790 lb* (810 kg)*	1,160 lb (520 kg)
+7.5 ft (2.3 m)						1,980 lb (890 kg) 2,040 lb* (920 kg)*	1,850 lb (830 kg)	1,390 lb (630 kg) 1,850 lb* (830 kg)*	1,310 lb (590 kg)			14 ft 7 in (4.46 m)	1,070 lb (480 kg) 1,810 lb* (820 kg)*	1,010 lb (450 kg)
+5 ft (1.5 m)				2,900 lb (1 310 kg) 4,190 lb* (1 900 kg)*	2,660 lb (1 200 kg)	1,870 lb (840 kg) 2,630 lb* (1 190 kg)*	1,750 lb (790 kg)	1,340 lb (600 kg) 2,090 lb* (940 kg)*	1,260 lb (570 kg)	1,010 lb (450 kg) 1,860 lb* (840 kg)*	960 lb (430 kg)	15 ft 1 in (4.62 m)	1,000 lb (450 kg) 1,850 lb* (830 kg)*	940 lb (420 kg)
+2.5 ft (0.8 m)				2,720 lb (1 230 kg) 3,780 lb* (1 710 kg)*	2,490 lb (1 120 kg)	1,780 lb (800 kg) 3,140 lb* (1 420 kg)*	1,660 lb (750 kg)	1,290 lb (580 kg) 2,330 lb* (1 050 kg)*	1,210 lb (540 kg)	1,000 lb (450 kg) 1,920 lb* (870 kg)*	940 lb (420 kg)	15 ft 1 in (4.62 m)	980 lb (440 kg) 1,900 lb* (860 kg)*	920 lb (410 kg)
Groundline				2,690 lb (1 220 kg) 5,230 lb* (2 370 kg)*	2,460 lb (1 110 kg)	1,730 lb (780 kg) 3,360 lb* (1 520 kg)*	1,610 lb (730 kg)	1,260 lb (570 kg) 2,460 lb* (1 110 kg)*	1,180 lb (530 kg)			14 ft 7 in (4.45 m)	1,020 lb (460 kg) 1,970 lb* (890 kg)*	960 lb (430 kg)
-2.5 ft (-0.8 m)		4,860 lb* (2 200 kg)* 4,860 lb* (2 200 kg)*	4,860 lb* (2 200 kg)*	2,700 lb (1 220 kg) 4,830 lb* (2 190 kg)*	2,470 lb (1 120 kg)	1,720 lb (780 kg) 3,250 lb* (1 470 kg)*	1,600 lb (720 kg)	1,260 lb (570 kg) 2,350 lb* (1 060 kg)*	1,180 lb (530 kg)			13 ft 5 in (4.11 m)	1,140 lb (510 kg) 2,030 lb* (920 kg)*	1,070 lb (480 kg)
-5 ft (-1.5 m)		6,100 lb (2 760 kg) 6,720 lb* (3 040 kg)*	5,290 lb (2 390 kg)	2,750 lb (1 240 kg) 3,940 lb* (1 780 kg)*	2,520 lb (1 140 kg)	1,760 lb (790 kg) 2,690 lb* (1 220 kg)*	1,630 lb (730 kg)					11 ft 6 in (3.50 m)	1,450 lb (650 kg) 2,060 lb* (930 kg)*	1,360 lb (610 kg)
-7.5 ft (-2.3 m)				1,840 lb* (830 kg)* 1,840 lb* (830 kg)*	1,840 lb* (830 kg)*							7 ft 8 in (2.35 m)	1,740 lb* (780 kg)* 1,740 lb* (780 kg)*	1,740 lb* (780 kg)*

Cab model with ACW — 4 ft 6 in (1.4 m) Arm

Lift capacities calculated using 11.8 in (300 mm) shoes, without bucket, blade up/down, counterweight +551 lb (+250 kg) Add-on.

Load (Lift Point Height) A	B	5 ft (1.5 m)		7.5 ft (2.3 m)		10 ft (3.0 m)		12.5 ft (3.8 m)		15 ft (4.6 m)		MAXIMUM REACH		
		I END II END	III SIDE	I END II END	III SIDE	I END II END	III SIDE	I END II END	III SIDE	I END II END	III SIDE	@	I END II END	III SIDE
+12.5 ft (3.8 m)												11 ft 6 in (3.52 m)	1,820 lb* (820 kg)* 1,820 lb* (820 kg)*	1,750 lb (790 kg)
+10 ft (3.0 m)									1,560 lb (700 kg)			13 ft 6 in (4.12 m)	1,450 lb (650 kg) 1,790 lb* (810 kg)*	1,360 lb (610 kg)
+7.5 ft (2.3 m)						2,040 lb* (920 kg)*		1,650 lb (740 kg) 1,730 lb* (780 kg)*	1,530 lb (690 kg)			14 ft 7 in (4.46 m)	1,270 lb (570 kg) 1,810 lb* (820 kg)*	1,190 lb (530 kg)
+5 ft (1.5 m)				3,390 lb (1 530 kg) 4,190 lb* (1 900 kg)*	3,100 lb (1 400 kg)	2,040 lb* (920 kg)* 2,040 lb (920 kg)	2,040 lb (920 kg)	1,630 lb (730 kg) 1,850 lb* (830 kg)*	1,480 lb (670 kg)	1,200 lb (540 kg) 1,860 lb* (840 kg)*	1,130 lb (510 kg)	15 ft 1 in (4.62 m)	1,180 lb (530 kg) 1,850 lb* (830 kg)*	1,110 lb (500 kg)
+2.5 ft (0.8 m)				3,210 lb (1 450 kg) 3,780 lb* (1 710 kg)*	2,930 lb (1 320 kg)	2,190 lb (990 kg) 2,630 lb* (1 190 kg)*	1,950 lb (880 kg)	1,580 lb (710 kg) 2,090 lb* (940 kg)*	1,430 lb (640 kg)	1,180 lb (530 kg) 1,920 lb* (870 kg)*	1,110 lb (500 kg)	15 ft 1 in (4.62 m)	1,170 lb (530 kg) 1,900 lb* (860 kg)*	1,100 lb (490 kg)
Groundline				3,170 lb (1 430 kg) 5,230 lb* (2 370 kg)*	2,900 lb (1 310 kg)	2,100 lb (950 kg) 3,140 lb* (1 420 kg)*	1,900 lb (860 kg)	1,530 lb (690 kg) 2,330 lb* (1 050 kg)*	1,400 lb (630 kg)			14 ft 7 in (4.45 m)	1,210 lb (540 kg) 1,970 lb* (890 kg)*	1,140 lb (510 kg)
-2.5 ft (-0.8 m)		4,860 lb* (2 200 kg)* 4,860 lb* (2 200 kg)*	4,860 lb* (2 200 kg)*	3,190 lb (1 440 kg) 4,830 lb* (2 190 kg)*	2,910 lb (1 310 kg)	2,050 lb (920 kg) 3,360 lb* (1 520 kg)*	1,900 lb (860 kg)	1,630 lb (730 kg) 2,460 lb* (1 110 kg)*	1,400 lb (630 kg)			13 ft 5 in (4.11 m)	1,360 lb (610 kg) 2,030 lb* (920 kg)*	1,270 lb (570 kg)
-5 ft (-1.5 m)		6,720 lb* (3 040 kg)* 6,720 lb* (3 040 kg)*	6,180 lb (2 800 kg)	3,240 lb (1 460 kg) 3,940 lb* (1 780 kg)*	2,960 lb (1 340 kg)	2,040 lb (920 kg) 3,250 lb* (1 470 kg)*	1,930 lb (870 kg)	1,500 lb (680 kg) 2,350 lb* (1 060 kg)*				11 ft 6 in (3.50 m)	1,710 lb (770 kg) 2,060 lb* (930 kg)*	1,600 lb (720 kg)
-7.5 ft (-2.3 m)				1,840 lb* (830 kg)* 1,840 lb* (830 kg)*	1,840 lb* (830 kg)*	2,070 lb (930 kg) 2,690 lb* (1 220 kg)*						7 ft 8 in (2.35 m)	1,740 lb* (780 kg)* 1,740 lb* (780 kg)*	1,740 lb* (780 kg)*

NOTE: *Lift capacities marked with an asterisk (*) are limited by 87% hydraulic capacity.



Canopy model without ACW — 4 ft 6 in (1.4 m) Arm

Lift capacities calculated using 11.8 in (300 mm) shoes, without bucket, blade up/down.

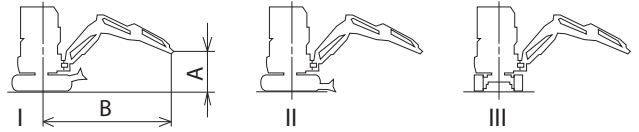
Load (Lift Point Height) A	B	5 ft (1.5 m)		7.5 ft (2.3 m)		10 ft (3.0 m)		12.5 ft (3.8 m)		15 ft (4.6 m)		MAXIMUM REACH		
		I END II END	III SIDE	I END II END	III SIDE	I END II END	III SIDE	I END II END	III SIDE	I END II END	III SIDE	@	I END II END	III SIDE
+12.5 ft (3.8 m)												11 ft 6 in (3.52 m)	1,530 lb (690 kg) 1,820 lb* (820 kg)*	1,450 lb (650 kg)
+10 ft (3.0 m)								1,350 lb (610 kg) 1,730 lb* (780 kg)*	1,280 lb (580 kg)			13 ft 6 in (4.12 m)	1,180 lb (530 kg) 1,790 lb* (810 kg)*	1,110 lb (500 kg)
+7.5 ft (2.3 m)						1,900 lb (860 kg) 2,040 lb* (920 kg)*	1,780 lb (800 kg)	1,330 lb (600 kg) 1,850 lb* (830 kg)*	1,250 lb (560 kg)			14 ft 7 in (4.46 m)	1,020 lb (460 kg) 1,810 lb* (820 kg)*	970 lb (430 kg)
+5 ft (1.5 m)				2,770 lb (1 250 kg) 4,190 lb* (1 900 kg)*	2,550 lb (1 150 kg)	1,790 lb (810 kg) 2,630 lb* (1 190 kg)*	1,670 lb (750 kg)	1,280 lb (580 kg) 2,090 lb* (940 kg)*	1,210 lb (540 kg)	960 lb (430 kg) 1,860 lb* (840 kg)*	910 lb (410 kg)	15 ft 1 in (4.62 m)	950 lb (430 kg) 1,850 lb* (830 kg)*	900 lb (400 kg)
+2.5 ft (0.8 m)				2,590 lb (1 170 kg) 3,780 lb* (1 710 kg)*	2,380 lb (1 070 kg)	1,690 lb (760 kg) 3,140 lb* (1 420 kg)*	1,580 lb (710 kg)	1,230 lb (550 kg) 2,330 lb* (1 050 kg)*	1,160 lb (520 kg)	950 lb (430 kg) 1,920 lb* (870 kg)*	890 lb (400 kg)	15 ft 1 in (4.62 m)	930 lb (420 kg) 1,900 lb* (860 kg)*	880 lb (390 kg)
Groundline				2,560 lb (1 160 kg) 5,230 lb* (2 370 kg)*	2,350 lb (1 060 kg)	1,650 lb (740 kg) 3,360 lb* (1 520 kg)*	1,540 lb (690 kg)	1,200 lb (540 kg) 2,460 lb* (1 110 kg)*	1,130 lb (510 kg)			14 ft 7 in (4.45 m)	970 lb (430 kg) 1,970 lb* (890 kg)*	920 lb (410 kg)
-2.5 ft (-0.8 m)		4,860 lb* (2 200 kg)* 4,860 lb* (2 200 kg)*	4,860 lb* (2 200 kg)*	2,570 lb (1 160 kg) 4,830 lb* (2 190 kg)*	2,360 lb (1 070 kg)	1,640 lb (740 kg) 3,250 lb* (1 470 kg)*	1,530 lb (690 kg)	1,200 lb (540 kg) 2,350 lb* (1 060 kg)*	1,130 lb (510 kg)			13 ft 5 in (4.11 m)	1,090 lb (490 kg) 2,030 lb* (920 kg)*	1,020 lb (460 kg)
-5 ft (-1.5 m)		5,820 lb (2 630 kg) 6,720 lb* (3 040 kg)*	5,070 lb (2 290 kg)	2,620 lb (1 180 kg) 3,940 lb* (1 780 kg)*	2,410 lb (1 090 kg)	1,670 lb (750 kg) 2,690 lb* (1 220 kg)*	1,560 lb (700 kg)					11 ft 6 in (3.50 m)	1,380 lb (620 kg) 2,060 lb* (930 kg)*	1,300 lb (580 kg)
-7.5 ft (-2.3 m)				1,840 lb* (830 kg)* 1,840 lb* (830 kg)*	1,840 lb* (830 kg)*							7 ft 8 in (2.35 m)	1,740 lb* (780 kg)* 1,740 lb* (780 kg)*	1,740 lb* (780 kg)*

Canopy model with ACW — 4 ft 6 in (1.4 m) Arm

Lift capacities calculated using 11.8 in (300 mm) shoes, without bucket, blade up/down, counterweight +551 lb (+250 kg) Add-on.

Load (Lift Point Height) A	B	5 ft (1.5 m)		7.5 ft (2.3 m)		10 ft (3.0 m)		12.5 ft (3.8 m)		15 ft (4.6 m)		MAXIMUM REACH		
		I END II END	III SIDE	I END II END	III SIDE	I END II END	III SIDE	I END II END	III SIDE	I END II END	III SIDE	@	I END II END	III SIDE
+12.5 ft (3.8 m)												11 ft 6 in (3.52 m)	1,790 lb (810 kg) 1,820 lb* (820 kg)*	1,690 lb (760 kg)
+10 ft (3.0 m)								1,590 lb (720 kg) 1,730 lb* (780 kg)*	1,500 lb (680 kg)			13 ft 6 in (4.12 m)	1,390 lb (630 kg) 1,790 lb* (810 kg)*	1,310 lb (590 kg)
+7.5 ft (2.3 m)						2,040 lb* (920 kg)* 2,040 lb* (920 kg)*	2,040 lb* (920 kg)*	1,560 lb (700 kg) 1,850 lb* (830 kg)*	1,470 lb (660 kg)			14 ft 7 in (4.46 m)	1,210 lb (540 kg) 1,810 lb* (820 kg)*	1,150 lb (520 kg)
+5 ft (1.5 m)				3,260 lb (1 470 kg) 4,190 lb* (1 900 kg)*	2,990 lb (1 350 kg)	2,110 lb (950 kg) 2,630 lb* (1 190 kg)*	1,970 lb (890 kg)	1,510 lb (680 kg) 2,090 lb* (940 kg)*	1,430 lb (640 kg)	1,150 lb (520 kg) 1,860 lb* (840 kg)*	1,090 lb (490 kg)	15 ft 1 in (4.62 m)	1,130 lb (510 kg) 1,850 lb* (830 kg)*	1,070 lb (480 kg)
+2.5 ft (0.8 m)				3,080 lb (1 390 kg) 3,780 lb* (1 710 kg)*	2,820 lb (1 270 kg)	2,010 lb (910 kg) 3,140 lb* (1 420 kg)*	1,880 lb (850 kg)	1,470 lb (660 kg) 2,330 lb* (1 050 kg)*	1,380 lb (620 kg)	1,130 lb (510 kg) 1,920 lb* (870 kg)*	1,070 lb (480 kg)	15 ft 1 in (4.62 m)	1,120 lb (500 kg) 1,900 lb* (860 kg)*	1,050 lb (470 kg)
Groundline				3,040 lb (1 370 kg) 5,230 lb* (2 370 kg)*	2,790 lb (1 260 kg)	1,960 lb (880 kg) 3,360 lb* (1 520 kg)*	1,830 lb (830 kg)	1,440 lb (650 kg) 2,460 lb* (1 110 kg)*	1,350 lb (610 kg)			14 ft 7 in (4.45 m)	1,160 lb (520 kg) 1,970 lb* (890 kg)*	1,100 lb (490 kg)
-2.5 ft (-0.8 m)		4,860 lb* (2 200 kg)* 4,860 lb* (2 200 kg)*	4,860 lb* (2 200 kg)*	3,060 lb (1 380 kg) 4,830 lb* (2 190 kg)*	2,800 lb (1 270 kg)	1,960 lb (880 kg) 3,250 lb* (1 470 kg)*	1,820 lb (820 kg)	1,430 lb (640 kg) 2,350 lb* (1 060 kg)*	1,350 lb (610 kg)			13 ft 5 in (4.11 m)	1,300 lb (580 kg) 2,030 lb* (920 kg)*	1,220 lb (550 kg)
-5 ft (-1.5 m)		6,720 lb* (3 040 kg)* 6,720 lb* (3 040 kg)*	5,960 lb (2 700 kg)	3,110 lb (1 410 kg) 3,940 lb* (1 780 kg)*	2,850 lb (1 290 kg)	1,990 lb (900 kg) 2,690 lb* (1 220 kg)*	1,850 lb (830 kg)					11 ft 6 in (3.50 m)	1,640 lb (740 kg) 2,060 lb* (930 kg)*	1,540 lb (690 kg)
-7.5 ft (-2.3 m)				1,840 lb* (830 kg)* 1,840 lb* (830 kg)*	1,840 lb* (830 kg)*							7 ft 8 in (2.35 m)	1,740 lb* (780 kg)* 1,740 lb* (780 kg)*	1,740 lb* (780 kg)*

NOTE: *Lift capacities marked with an asterisk (*) are limited by 87% hydraulic capacity.



Cab model without ACW – 5 ft 6 in (1.7 m) Arm

Lift capacities calculated using 11.8 in (300 mm) shoes, without bucket, blade up/down.

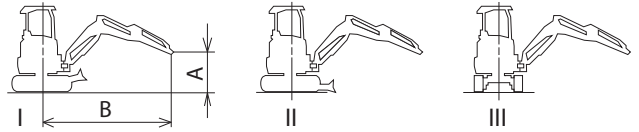
Load (Lift Point Height) A	B	5 ft (1.5 m)		7.5 ft (2.3 m)		10 ft (3.0 m)		12.5 ft (3.8 m)		15 ft (4.6 m)		MAXIMUM REACH		
		I END II END	III SIDE	I END II END	III SIDE	I END II END	III SIDE	I END II END	III SIDE	I END II END	III SIDE	@	I END II END	III SIDE
+12.5 ft (3.8 m)								1,440 lb (650 kg)	1,350 lb (610 kg)			12 ft 10 in (3.92 m)	1,360 lb (610 kg) 1,610 lb* (730 kg)*	1,280 lb (580 kg)
+10 ft (3.0 m)								1,440 lb (650 kg) 1,490 lb* (670 kg)*	1,360 lb (610 kg)			14 ft 7 in (4.45 m)	1,100 lb (490 kg) 1,550 lb* (700 kg)*	1,040 lb (470 kg)
+7.5 ft (2.3 m)								1,410 lb (630 kg) 1,650 lb* (740 kg)*	1,320 lb (590 kg)	1,040 lb (470 kg) 1,620 lb* (730 kg)*	980 lb (440 kg)	15 ft 7 in (4.76 m)	970 lb (430 kg) 1,620 lb* (680 kg)*	910 lb (410 kg)
+5 ft (1.5 m)				3,010 lb (1 360 kg) 3,460 lb* (1 560 kg)*	2,760 lb (1 250 kg)	1,910 lb (860 kg) 2,340 lb* (1 060 kg)*	1,780 lb (800 kg)	1,350 lb (610 kg) 1,920 lb* (870 kg)*	1,270 lb (570 kg)	1,020 lb (460 kg) 1,720 lb* (780 kg)*	960 lb (430 kg)	16 ft 1 in (4.90 m)	910 lb (410 kg) 1,550 lb* (700 kg)*	860 lb (390 kg)
+2.5 ft (0.8 m)				2,770 lb (1 250 kg) 4,860 lb* (2 200 kg)*	2,530 lb (1 140 kg)	1,800 lb (810 kg) 2,940 lb* (1 330 kg)*	1,670 lb (750 kg)	1,300 lb (580 kg) 2,210 lb* (1 000 kg)*	1,220 lb (550 kg)	990 lb (440 kg) 1,840 lb* (830 kg)*	930 lb (420 kg)	16 ft 1 in (4.90 m)	890 lb (400 kg) 1,640 lb* (740 kg)*	840 lb (380 kg)
Groundline		2,350 lb* (1 060 kg)* 2,350 lb* (1 060 kg)*	2,350 lb* (1 060 kg)*	2,680 lb (1 210 kg) 5,250 lb* (2 380 kg)*	2,450 lb (1 110 kg)	1,730 lb (780 kg) 3,280 lb* (1 480 kg)*	1,610 lb (730 kg)	1,260 lb (570 kg) 2,400 lb* (1 080 kg)*	1,180 lb (530 kg)	970 lb (430 kg) 1,900 lb* (860 kg)*	920 lb (410 kg)	15 ft 7 in (4.75 m)	920 lb (410 kg) 1,800 lb* (810 kg)*	870 lb (390 kg)
-2.5 ft (-0.8 m)		4,150 lb* (1 880 kg)* 4,150 lb* (1 880 kg)*	4,150 lb* (1 880 kg)*	2,670 lb (1 210 kg) 5,060 lb* (2 290 kg)*	2,440 lb (1 100 kg)	1,710 lb (770 kg) 3,310 lb* (1 500 kg)*	1,590 lb (720 kg)	1,240 lb (560 kg) 2,400 lb* (1 080 kg)*	1,160 lb (520 kg)			14 ft 6 in (4.44 m)	1,010 lb (450 kg) 1,870 lb* (840 kg)*	950 lb (430 kg)
-5 ft (-1.5 m)		6,010 lb (2 720 kg) 6,400 lb* (2 900 kg)*	5,200 lb (2 350 kg)	2,710 lb (1 220 kg) 4,400 lb* (1 990 kg)*	2,480 lb (1 120 kg)	1,720 lb (780 kg) 2,960 lb* (1 340 kg)*	1,600 lb (720 kg)	1,260 lb (570 kg) 2,050 lb* (920 kg)*	1,180 lb (530 kg)			12 ft 9 in (3.90 m)	1,230 lb (550 kg) 1,930 lb* (870 kg)*	1,150 lb (520 kg)
-7.5 ft (-2.3 m)		5,020 lb* (2 270 kg)* 5,020 lb* (2 270 kg)*	5,020 lb* (2 270 kg)*	2,800 lb (1 270 kg) 2,950 lb* (1 330 kg)*	2,570 lb (1 160 kg)							9 ft 9 in (2.98 m)	1,860 lb (840 kg) 1,880 lb* (850 kg)*	1,730 lb (780 kg)

Cab model with ACW – 5 ft 6 in (1.7 m) Arm

Lift capacities calculated using 11.8 in (300 mm) shoes, without bucket, blade up/down, counterweight +551 lb (+250 kg) Add-on.

Load (Lift Point Height) A	B	5 ft (1.5 m)		7.5 ft (2.3 m)		10 ft (3.0 m)		12.5 ft (3.8 m)		15 ft (4.6 m)		MAXIMUM REACH		
		I END II END	III SIDE	I END II END	III SIDE	I END II END	III SIDE	I END II END	III SIDE	I END II END	III SIDE	@	I END II END	III SIDE
+12.5 ft (3.8 m)								1,560 lb* (700 kg)* 1,560 lb* (700 kg)*	1,560 lb* (700 kg)*			12 ft 10 in (3.92 m)	1,580 lb (710 kg) 1,610 lb* (730 kg)*	1,490 lb (670 kg)
+10 ft (3.0 m)								1,490 lb* (670 kg)* 1,490 lb* (670 kg)*	1,490 lb* (670 kg)*			14 ft 7 in (4.45 m)	1,290 lb (580 kg) 1,550 lb* (700 kg)*	1,210 lb (540 kg)
+7.5 ft (2.3 m)								1,640 lb (740 kg) 1,650 lb* (740 kg)*	1,540 lb (690 kg)	1,220 lb (550 kg) 1,620 lb* (730 kg)*	1,150 lb (520 kg)	15 ft 7 in (4.76 m)	1,140 lb (510 kg) 1,520 lb* (680 kg)*	1,080 lb (480 kg)
+5 ft (1.5 m)				3,460 lb* (1 560 kg)* 3,460 lb* (1 560 kg)*	3,190 lb (1 440 kg)	2,220 lb (1 000 kg) 2,340 lb* (1 060 kg)*	2,060 lb (930 kg)	1,580 lb (710 kg) 1,920 lb* (870 kg)*	1,480 lb (670 kg)	1,200 lb (540 kg) 1,720 lb* (780 kg)*	1,130 lb (510 kg)	16 ft 1 in (4.90 m)	1,070 lb (480 kg) 1,550 lb* (700 kg)*	1,010 lb (450 kg)
+2.5 ft (0.8 m)				3,240 lb (1 460 kg) 4,860 lb* (2 200 kg)*	2,960 lb (1 340 kg)	2,110 lb (950 kg) 2,940 lb* (1 330 kg)*	1,960 lb (880 kg)	1,530 lb (690 kg) 2,210 lb* (1 000 kg)*	1,430 lb (640 kg)	1,170 lb (530 kg) 1,840 lb* (830 kg)*	1,100 lb (490 kg)	16 ft 1 in (4.90 m)	1,060 lb (480 kg) 1,640 lb* (740 kg)*	1,000 lb (450 kg)
Groundline		2,350 lb* (1 060 kg)* 2,350 lb* (1 060 kg)*	2,350 lb* (1 060 kg)*	3,150 lb (1 420 kg) 5,250 lb* (2 380 kg)*	2,880 lb (1 300 kg)	2,040 lb (920 kg) 3,280 lb* (1 480 kg)*	1,890 lb (850 kg)	1,490 lb (670 kg) 2,400 lb* (1 080 kg)*	1,390 lb (630 kg)	1,160 lb (520 kg) 1,900 lb* (860 kg)*	1,090 lb (490 kg)	15 ft 7 in (4.75 m)	1,100 lb (490 kg) 1,800 lb* (810 kg)*	1,030 lb (460 kg)
-2.5 ft (-0.8 m)		4,150 lb* (1 880 kg)* 4,150 lb* (1 880 kg)*	4,150 lb* (1 880 kg)*	3,140 lb (1 420 kg) 5,060 lb* (2 290 kg)*	2,870 lb (1 300 kg)	2,010 lb (910 kg) 3,310 lb* (1 500 kg)*	1,870 lb (840 kg)	1,240 lb (560 kg) 2,400 lb* (1 080 kg)*	1,380 lb (620 kg)			14 ft 6 in (4.44 m)	1,200 lb (540 kg) 1,870 lb* (840 kg)*	1,130 lb (510 kg)
-5 ft (-1.5 m)		6,400 lb* (2 900 kg)* 6,400 lb* (2 900 kg)*	6,060 lb (2 740 kg)	3,180 lb (1 440 kg) 4,400 lb* (1 990 kg)*	2,900 lb (1 310 kg)	2,030 lb (920 kg) 2,960 lb* (1 340 kg)*	1,890 lb (850 kg)	1,490 lb (670 kg) 2,050 lb* (920 kg)*	1,400 lb (630 kg)			12 ft 9 in (3.90 m)	1,450 lb (650 kg) 1,930 lb* (870 kg)*	1,360 lb (610 kg)
-7.5 ft (-2.3 m)		5,020 lb* (2 270 kg)* 5,020 lb* (2 270 kg)*	5,020 lb* (2 270 kg)*	2,950 lb* (1 330 kg)* 2,950 lb* (1 330 kg)*	2,950 lb* (1 330 kg)*							9 ft 9 in (2.98 m)	1,880 lb* (850 kg)* 1,880 lb* (850 kg)*	1,880 lb* (850 kg)*

NOTE: *Lift capacities marked with an asterisk (*) are limited by 87% hydraulic capacity.



Canopy model without ACW – 5 ft 6 in (1.7 m) Arm

Lift capacities calculated using 11.8 in (300 mm) shoes, without bucket, blade up/down.

Load (Lift Point Height) A	B	5 ft (1.5 m)		7.5 ft (2.3 m)		10 ft (3.0 m)		12.5 ft (3.8 m)		15 ft (4.6 m)		MAXIMUM REACH		
		I END II END	III SIDE	I END II END	III SIDE	I END II END	III SIDE	I END II END	III SIDE	I END II END	III SIDE	@	I END II END	III SIDE
+12.5 ft (3.8 m)								1,370 lb (620 kg)	1,290 lb (580 kg)			12 ft 10 in (3.92 m)	1,290 lb (580 kg)	1,220 lb (550 kg)
								1,560 lb* (700 kg)*					1,610 lb* (730 kg)*	
+10 ft (3.0 m)								1,370 lb (620 kg)	1,300 lb (580 kg)			14 ft 7 in (4.45 m)	1,040 lb (470 kg)	990 lb (440 kg)
								1,490 lb* (670 kg)*					1,550 lb* (700 kg)*	
+7.5 ft (2.3 m)								1,340 lb (600 kg)	1,260 lb (570 kg)	990 lb (440 kg)	930 lb (420 kg)	15 ft 7 in (4.76 m)	920 lb (410 kg)	870 lb (390 kg)
								1,650 lb* (740 kg)*		1,620 lb* (730 kg)*			1,520 lb* (680 kg)*	
+5 ft (1.5 m)				2,870 lb (1 300 kg)	2,640 lb (1 190 kg)	1,810 lb (820 kg)	1,700 lb (770 kg)	1,280 lb (580 kg)	1,210 lb (540 kg)	960 lb (430 kg)	910 lb (410 kg)	16 ft 1 in (4.90 m)	860 lb (390 kg)	810 lb (360 kg)
				3,460 lb* (1 560 kg)*		2,340 lb* (1 060 kg)*		1,920 lb* (870 kg)*		1,720 lb* (780 kg)*			1,550 lb* (700 kg)*	
+2.5 ft (0.8 m)				2,620 lb (1 180 kg)	2,410 lb (1 090 kg)	1,700 lb (770 kg)	1,590 lb (720 kg)	1,230 lb (550 kg)	1,160 lb (520 kg)	940 lb (420 kg)	880 lb (390 kg)	16 ft 1 in (4.90 m)	840 lb (380 kg)	800 lb (360 kg)
				4,860 lb* (2 200 kg)*		2,940 lb* (1 330 kg)*		2,210 lb* (1 000 kg)*		1,840 lb* (830 kg)*			1,640 lb* (740 kg)*	
Groundline		2,350 lb* (1 060 kg)*	2,350 lb* (1 060 kg)*	2,540 lb (1 150 kg)	2,330 lb (1 050 kg)	1,630 lb (730 kg)	1,530 lb (690 kg)	1,190 lb (530 kg)	1,120 lb (500 kg)	920 lb (410 kg)	870 lb (390 kg)	15 ft 7 in (4.75 m)	870 lb (390 kg)	820 lb (370 kg)
		2,350 lb* (1 060 kg)*		5,250 lb* (2 380 kg)*		3,280 lb* (1 480 kg)*		2,400 lb* (1 080 kg)*		1,900 lb* (860 kg)*			1,800 lb* (810 kg)*	
-2.5 ft (-0.8 m)		4,150 lb* (1 880 kg)*	4,150 lb* (1 880 kg)*	2,530 lb (1 140 kg)	2,320 lb (1 050 kg)	1,610 lb (730 kg)	1,500 lb (680 kg)	1,170 lb (530 kg)	1,100 lb (490 kg)			14 ft 6 in (4.44 m)	960 lb (430 kg)	900 lb (400 kg)
		4,150 lb* (1 880 kg)*		5,060 lb* (2 290 kg)*		3,310 lb* (1 500 kg)*		2,400 lb* (1 080 kg)*					1,870 lb* (840 kg)*	
-5 ft (-1.5 m)		5,690 lb (2 580 kg)	4,950 lb (2 240 kg)	2,560 lb (1 160 kg)	2,350 lb (1 060 kg)	1,630 lb (730 kg)	1,520 lb (680 kg)	1,190 lb (530 kg)	1,120 lb (500 kg)			12 ft 9 in (3.90 m)	1,160 lb (520 kg)	1,090 lb (490 kg)
		6,400 lb* (2 900 kg)*		4,400 lb* (1 990 kg)*		2,960 lb* (1 340 kg)*		2,050 lb* (920 kg)*					1,930 lb* (870 kg)*	
-7.5 ft (-2.3 m)		5,020 lb* (2 270 kg)*	5,020 lb* (2 270 kg)*	2,660 lb (1 200 kg)	2,440 lb (1 100 kg)							9 ft 9 in (2.98 m)	1,760 lb (790 kg)	1,640 lb (740 kg)
		5,020 lb* (2 270 kg)*		2,950 lb* (1 330 kg)*									1,880 lb* (850 kg)*	

Canopy model with ACW – 5 ft 6 in (1.7 m) Arm

Lift capacities calculated using 11.8 in (300 mm) shoes, without bucket, blade up/down, counterweight +551 lb (+250 kg) Add-on.

Load (Lift Point Height) A	B	5 ft (1.5 m)		7.5 ft (2.3 m)		10 ft (3.0 m)		12.5 ft (3.8 m)		15 ft (4.6 m)		MAXIMUM REACH		
		I END II END	III SIDE	I END II END	III SIDE	I END II END	III SIDE	I END II END	III SIDE	I END II END	III SIDE	@	I END II END	III SIDE
+12.5 ft (3.8 m)								1,560 lb* (700 kg)*	1,510 lb (680 kg)			12 ft 10 in (3.92 m)	1,520 lb (680 kg)	1,440 lb (650 kg)
								1,560 lb* (700 kg)*					1,610 lb* (730 kg)*	
+10 ft (3.0 m)								1,490 lb* (670 kg)*	1,490 lb* (670 kg)*			14 ft 7 in (4.45 m)	1,230 lb (550 kg)	1,170 lb (530 kg)
								1,490 lb* (670 kg)*					1,550 lb* (700 kg)*	
+7.5 ft (2.3 m)								1,570 lb (710 kg)	1,480 lb (670 kg)	1,170 lb (530 kg)	1,110 lb (500 kg)	15 ft 7 in (4.76 m)	1,090 lb (490 kg)	1,030 lb (460 kg)
								1,650 lb* (740 kg)*		1,620 lb* (730 kg)*			1,520 lb* (680 kg)*	
+5 ft (1.5 m)				3,350 lb (1 510 kg)	3,080 lb (1 390 kg)	2,130 lb (960 kg)	1,990 lb (900 kg)	1,520 lb (680 kg)	1,430 lb (640 kg)	1,150 lb (520 kg)	1,090 lb (490 kg)	16 ft 1 in (4.90 m)	1,030 lb (460 kg)	970 lb (430 kg)
				3,460 lb* (1 560 kg)*		2,340 lb* (1 060 kg)*		1,920 lb* (870 kg)*		1,720 lb* (780 kg)*			1,550 lb* (700 kg)*	
+2.5 ft (0.8 m)				3,110 lb (1 410 kg)	2,850 lb (1 290 kg)	2,020 lb (910 kg)	1,880 lb (850 kg)	1,460 lb (660 kg)	1,380 lb (620 kg)	1,120 lb (500 kg)	1,060 lb (480 kg)	16 ft 1 in (4.90 m)	1,010 lb (450 kg)	960 lb (430 kg)
				4,860 lb* (2 200 kg)*		2,940 lb* (1 330 kg)*		2,210 lb* (1 000 kg)*		1,840 lb* (830 kg)*			1,640 lb* (740 kg)*	
Groundline		2,350 lb* (1 060 kg)*	2,350 lb* (1 060 kg)*	3,020 lb (1 360 kg)	2,770 lb (1 250 kg)	1,950 lb (880 kg)	1,820 lb (820 kg)	1,420 lb (640 kg)	1,340 lb (600 kg)	1,100 lb (490 kg)	1,040 lb (470 kg)	15 ft 7 in (4.75 m)	1,050 lb (470 kg)	990 lb (440 kg)
		2,350 lb* (1 060 kg)*		5,250 lb* (2 380 kg)*		3,280 lb* (1 480 kg)*		2,400 lb* (1 080 kg)*		1,900 lb* (860 kg)*			1,800 lb* (810 kg)*	
-2.5 ft (-0.8 m)		4,150 lb* (1 880 kg)*	4,150 lb* (1 880 kg)*	3,010 lb (1 360 kg)	2,760 lb (1 250 kg)	1,930 lb (870 kg)	1,800 lb (810 kg)	1,410 lb (630 kg)	1,320 lb (590 kg)			14 ft 6 in (4.44 m)	1,150 lb (520 kg)	1,080 lb (480 kg)
		4,150 lb* (1 880 kg)*		5,060 lb* (2 290 kg)*		3,310 lb* (1 500 kg)*		2,400 lb* (1 080 kg)*					1,870 lb* (840 kg)*	
-5 ft (-1.5 m)		6,400 lb* (2 900 kg)*	5,840 lb (2 640 kg)	3,050 lb (1 380 kg)	2,790 lb (1 260 kg)	1,950 lb (880 kg)	1,810 lb (820 kg)	1,430 lb (640 kg)	1,340 lb (600 kg)			12 ft 9 in (3.90 m)	1,390 lb (630 kg)	1,300 lb (580 kg)
		6,400 lb* (2 900 kg)*		4,400 lb* (1 990 kg)*		2,960 lb* (1 340 kg)*		2,050 lb* (920 kg)*					1,930 lb* (870 kg)*	
-7.5 ft (-2.3 m)		5,020 lb* (2 270 kg)*	5,020 lb* (2 270 kg)*	2,950 lb* (1 330 kg)*	2,880 lb (1 300 kg)							9 ft 9 in (2.98 m)	1,880 lb* (850 kg)*	1,880 lb* (850 kg)*
		5,020 lb* (2 270 kg)*		2,950 lb* (1 330 kg)*									1,880 lb* (850 kg)*	

NOTE: *Lift capacities marked with an asterisk (*) are limited by 87% hydraulic capacity.

STANDARD EQUIPMENT

ENGINE

Yanmar 3TNV88F-E diesel
4 Cycle
Water cooled
Direct injection
One touch decelerator
Engine access under rear hood
Dry type air cleaner with restriction indicator
Glow plug starting aid

ELECTRICAL

12-volt electrical starting system
Heavy-duty battery
Horn

HYDRAULICS

Auxiliary hydraulics – single/bi-directional –
and plumbing to arm
Large hydraulic oil cooler
Control pattern selector valve

TRACK DRIVE

Rubber tracks
Automatic 2-speed travel
Fully hydrostatic drive system
Sealed and lubricated track rollers
Track tension adjustment – grease type
Disc type parking brake – auto
release and apply

UPPER STRUCTURE

Zero tail swing
Swing lock
Swing brake
Swing shock valve

OPERATOR ENVIRONMENT

See page 1

OTHER

Swing boom – 70° left/60° right
Hydraulic backfill blade

OPTIONAL EQUIPMENT

OPERATOR ENVIRONMENT

Cab enclosure with heater and A/C
Radio
Operator front guard
Rearview mirror
Rear under mirror
LCD Monitor

OTHER

Steel tracks
5 ft 3 in (1.59 m) arm
Mechanical coupler
Travel alarm
Additional counterweight
Arm/bucket cylinder rod cover
Air filter double element
4-way backfill blade
Rotating beacon
Thumb cylinder bracket – Standard arm only

BUCKETS

Width	SAE Heaped Capacity	Weight
12 in (305 mm)	2.13 ft ³ (0.060 m ³)	155 lb (70 kg)
24 in (610 mm)	4.25 ft ³ (0.120 m ³)	218 lb (99 kg)
36 in (914 mm)	6.60 ft ³ (0.186 m ³)	290 lb (132 kg)

CaseCE.com

©2016 CNH Industrial America LLC. All rights reserved. CASE is a trademark registered in the United States and many other countries, owned by or licensed to CNH Industrial N.V., its subsidiaries or affiliates. CNH Industrial Capital is a trademark in the United States and many other countries, owned by or licensed to CNH Industrial N.V., its subsidiaries or affiliates. Printed in U.S.A. Contains 10% post-consumer fiber.

IMPORTANT: CASE Construction Equipment Inc. reserves the right to change these specifications without notice and without incurring any obligation relating to such change. Availability of some models and equipment builds vary according to the country in which the equipment is used. The illustrations and text may include optional equipment and accessories and may not include all standard equipment. Your CASE dealer/distributor will be able to give you details of the products and their specifications available in your area.



CASE Construction Equipment is biodiesel-friendly. NOTE: All engines meet current EPA emissions regulations. All specifications are stated in accordance with SAE Standards or Recommended Practices, where applicable.



Always read the Operator's Manual before operating any equipment. Inspect equipment before using it, and be sure it is operating properly. Follow the product safety signs and use any safety features provided.

Form No. CCE201606CX36B
Replaces Form No. CCE201409CX36B

CX36B

7 of 7