



SJ40/45 T TELESCOPIC BOOMS

STANDARD FEATURES

- Axle based 4WD system
- Operator controlled locking rear differential and limited slip front differential
- Oscillating axle
- Drivable at full height
- 50% Gradeability
- Deutz D2.9L4 diesel engine or Kubota WG2503 dual fuel engine
- Swing out engine tray
- Swing up cowlings
- Modular platform railing system
- Tri-entry sliding mid rails
- 110V AC Outlet on platform with GFI
- EASYDRIVE™ direction sensing drive and steer controls
- Proportional controls
- Relay based control system
- SKYCODED™ color coded and numbered wiring system
- 360° Continuous turret rotation
- Hourmeter
- Operator horn
- All motion alarm
- Tie down/lifting lugs
- Wet disc SAHR brakes (rear axle)
- 12 x 16.5 Grip lug air-filled tires
- Telematics ready
- 2 Year Gold Leaf Warranty (5 year structural warranty)

ACCESSORIES AND OPTIONS

- 36 x 72" Platform
- Perkins 404F-E22T diesel engine
- 3.5 kW Generator (Includes hydraulic oil cooler)
- Welder ready package (Includes 12 kW generator, hydraulic oil cooler, 3-phase power connection in platform, and welder mount)
- Welder package (Includes 12 kW generator, hydraulic oil cooler, 3-phase power connection in platform, welder mount, and Lincoln V275-S welder)
- Cold weather start kit (Recommended for regions where average monthly low temperatures can reach 14°F / -10°C (Includes cold start engine oil, battery blanket, hydraulic tank heater, and engine load kit (Deutz D2.9L4))
- Arctic weather package (Recommended for regions where average monthly low temperatures can reach -0.4°F / -18°C (Includes arctic engine oil, battery blanket, hydraulic tank heater, engine load kit (Deutz D2.9L4), block heater, arctic hydraulic oil, arctic platform rotator and arctic gear oil in the axles and swing drive glow plugs, arctic hydraulic hoses (all), and oversized foot switch cover are also included (standard equipment).)
- Hydraulic oil cooler
- Side gate
- Flashing light
- 1/2" Airline to platform
- Positive air shut-off valve
- Non destructive testing
- Pipe rack
- Glazier kit
- Tool caddy
- Platform work lights
- Control box cover
- Bio oil
- Secondary guarding (electrical or mechanical)
- Auxiliary top rail (36 x 96" platform only)
- ELEVATE telematics
- Warranty options (3 year or 5 year plans available)

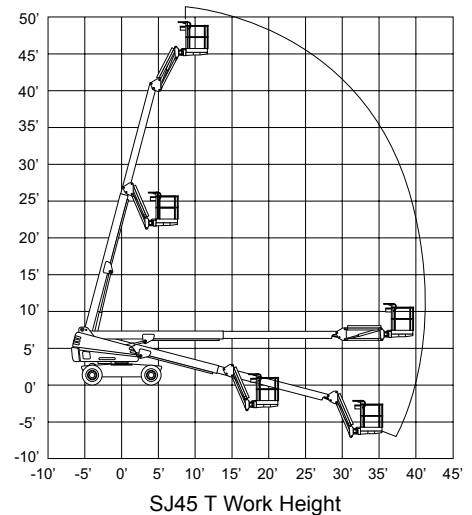
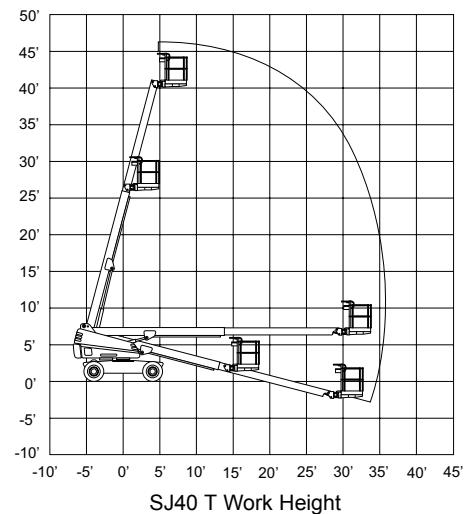
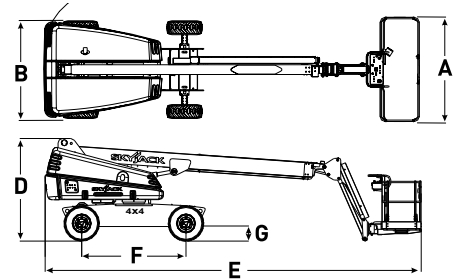
TIRE OPTIONS

- Grip lug foam-filled tires
- High flotation air-filled tires
- Grip lug foam-filled non-marking tires

SJ40/45 T TELESCOPIC BOOMS

Dimensions	SJ40 T	SJ45 T
Work Height	46'7" (14.20 m)	51'2" (15.60 m)
Platform Height	40'7" (12.37 m)	45'2" (13.77 m)
Horizontal Reach	34' (10.36 m)	39'9" (12.12 m)
A Platform Size	36" x 96" (0.91 x 2.44 m)	36" x 96" (0.91 x 2.44 m)
B Stowed Width	90" (2.29 m)	90" (2.29 m)
C Tailswing	37" (0.94 m)	37" (0.94 m)
D Stowed Height	94" (2.39 m)	94" (2.39 m)
E Stowed Length	25'5" (7.74 m)	28'10" (8.79 m)
F Wheelbase	96" (2.44 m)	96" (2.44 m)
G Ground Clearance	11" (0.28 m)	11" (0.28 m)

Specifications	SJ40 T	SJ45 T
Rotation	360° Continuous	
Platform Rotation	170°	170°
Jib Length	-	5' (1.5 m)
Jib Range +/-	-	+65° / -60°
Weight	13,960 lbs (6,332 kg)	14,830 lbs (6,727 kg)
Gradeability	50%	50%
Turning Radius (Inside)	84" (2.13 m)	84" (2.13 m)
Turning Radius (Outside)	198" (5.03 m)	198" (5.03 m)
Axle Oscillation	5" (12.70 cm)	5" (12.70 cm)
Drive Speed (High speed)	4.5 mph (7.2 km/h)	4.5 mph (7.2 km/h)
Capacity	650 lbs (295 kg)	500 lbs (227 kg)
Local Floor Load (With Rated Load)	130 psi (896 kPa)	135 psi (931 kPa)
Overall Floor Load (With Rated Load)	193 psf (9.24 kPa)	200 psf (9.58 kPa)
Maximum # of Persons	2	2
Tire Type	Air Filled	Air Filled
Tire Size	12 x 16.5	12 x 16.5
Diesel Engine	48 HP	
Dual Fuel Engine	61 HP	
Fuel Tank Capacity	45 gallon (170 L)	
Hydraulic Reservoir	59 gallon (223 L)	



Skyjack Head Office
 55 Campbell Rd. Guelph, ON Canada N1H 1B9
 Sales Inquiries: 1-877-755-4387 (1-877-SJLIFTS)
 Main Switchboard: 1-800-265-2738
 Phone: 519-837-0888
 Fax: 519-837-8104
 Email: skyjack@skyjack.com
 www.skyjack.com

This brochure is for illustrative purpose only and based on the latest information at the time of printing. Skyjack Inc. reserves the right to make changes at any time, without notice, to specifications, standard and optional equipment. Consult the Operating Maintenance and Parts Manuals for proper procedures. Work platforms have been tested to comply with ANSI and CSA standards as interpreted by Skyjack Inc.

