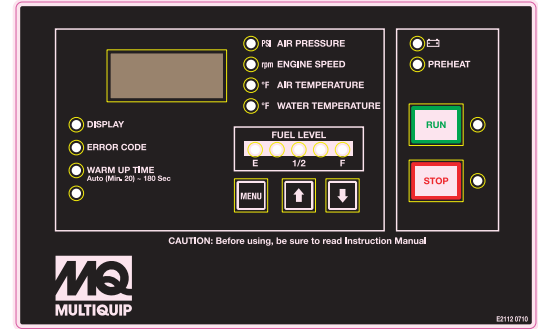




# DIS185SSI4F

## MQ POWER Air Compressor

### CFM Rating — 185



**DIGITAL CONTROLLER**

### STANDARD FEATURES

- Heavy duty, 4-cycle, direct injection, turbocharged diesel engine provides maximum reliability.
- EPA emissions certified - Tier 4 final emissions compliant.
- Sound attenuated, weather resistant, steel housing provides operation at 69 dB(A) at 23 feet. Fully lockable enclosure allows safe unattended operation.
- Large side doors to provide access to engine and compressor.
- Lockable internal tool box for storing tools and hoses.
- Bolt on steel fender.
- D.O.T approved tail lamps, stop lamps, turn signal lamps and side marker lamps.
- Tongue mounted swivel jack with caster.
- 4-hole channel allows 3-position, adjustable coupler height; 4-inches O/A.
- Single-axle design with leaf spring suspension.
- E-coat and powder coat paint provide durability and weather protection.
- Digital Controller provides readouts with LED status indicator:
  - Compressor Temperature
  - Engine Temperature
  - Engine Speed
  - Fuel Level
  - Complete Engine Diagnostic Tool

### SPECIFICATIONS

Air Compressor Specifications	
Type	Rotary Screw
Rated Delivery	185 CFM (5.2 m <sup>3</sup> min)
Rated Operating Pressure	100 psi (6.9 Bar)
Oil Capacity	4.5 gallons (17 liters)
Air Service Connections	Two 3/4" NPT
Cooling System	Oil Cooler
Minimum Operation Pressure	85 psi (5.9 Bar)
Maximum Operation Pressure	105 psi (7.2 Bar)
Air Cleaner (Air Compressor)	2-Stage Filter
Sound Level dB(A) Full Load at 23 Feet	69

### Engine Specifications

Make / Model	Isuzu / 4LE2T
Emissions	Tier 4 Final Certified
Starting System	Electric
Design	4-cycle, Water Cooled, Direct Injection, Turbocharged
Displacement	133.0 in <sup>3</sup> (2179 cc)
Gross Engine Power Output	48.3 HP
Engine Speed (RPM)	2400
Idle Speed (RPM)	1550
Oil Capacity	2.7 gallons (10.4 Liters)
Coolant Capacity	2.1 gallons (7.9 Liters)
Air Cleaner (Engine)	2-Stage Filter
Battery	12V, Group 27, CCA 840

### Fuel System

Recommend Fuel	ASTM-D975-No. 1 & No. 2-D*	
Fuel Tank Capacity	22 gallons (83 liters)	
Fuel Consumption	gph	lph
At full load	2.52	9.5
At 1/2 load	1.36	5.1

\* Ultra low Sulfur Diesel Fuel

### Trailer Specifications

Gross Axle Weight Rating (GAWR)	3500 lbs. (1588 kg)
Tire Size	ST205/75D14 LR-C
Tow Bar Design	Bolt on "A" Frame
Jack Stand type	Caster

### Weight

Dry Weight	2116 lbs. (960 kg)
Wet Weight	2337 lbs. (1060 kg)

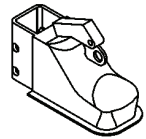


# DIS185SSI4F

## MQ POWER Air Compressor

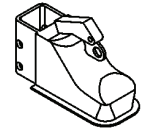
### Coupler Options

2" Ball Coupler  
10,000 lbs. (4,536 kg)



#EE43254

2-5/16" Ball Coupler  
14,000 lbs. (6,350 kg)

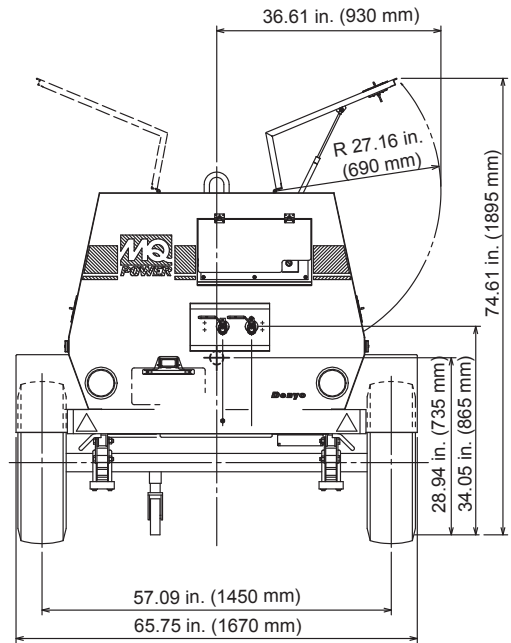
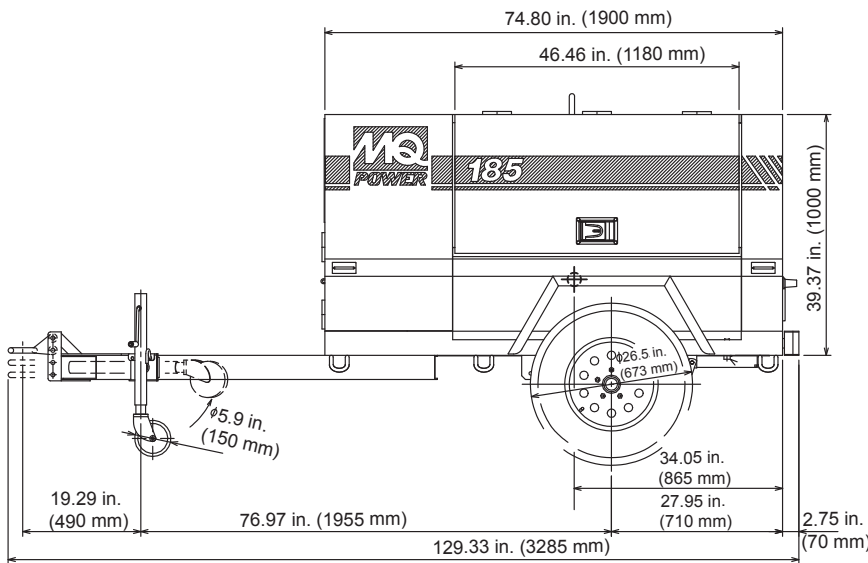
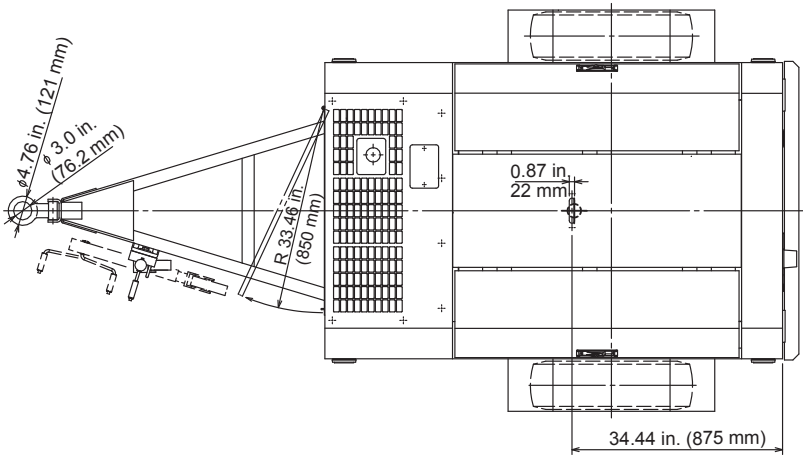


#EE43253

3" Pintle Eye  
25,000 lbs. (11,340 kg)



#EE36264



### WARRANTY\*

#### Isuzu Engine\*\*

12 months from date of purchase with unlimited hours or 60 months from date of purchase with 5000 hours (whichever comes first).

Manufactured by Denyo Co.

Your Multiquip dealer is:

#### Air End

36 months from date of purchase or 3000 hours (whichever occurs first).

#### Air Compressor

12 months from date of purchase with unlimited hours.

\* Refer to express written, one-year limited warranty sheet for additional information.

\*\* Refer to Isuzu Diesel Engines Limited Warranty for details.

Features and specifications are subject to change without notice.



MULTIQUIP  
POST OFFICE BOX 6254  
CARSON, CA 90749  
310-537-3700 • 800-883-2551  
FAX: 310-604-3831  
E-MAIL: sales@multiquip.com  
WEBSITE: www.multiquip.com