

QUICK SPECS

Weight	12,247 lbs
Horsepower	47.6 HP
Max Dig Depth	13'6"

More power at your command with low cost of ownership.



YANMAR's ViO55-6A, our 5.5-ton class mini excavator, is powered by a 47.6 HP turbocharged Tier 4 Final YANMAR engine. Along with true zero tail swing, it also provides operator comfort for the long hours at job sites. The ViO55-6A is one of YANMAR's most rugged machines and works effectively in extremely tight spaces other bulkier excavators simply can't reach. Add the balance and stability equal to a conventional excavator, and you've got one of the best values around. Plus, YANMAR's unique SmartAssist Remote gives you peace of mind with theft prevention and maintenance management tools as well as other remote monitoring services.

INNOVATIVE FEATURES



True Zero Tail Swing

YANMAR introduced the world's first zero tail swing excavator in 1993. Today, our true zero tail swing technology means no part of the housing extends beyond the tracks. Since the entire machine operates within its tracks, you can work efficiently almost anywhere, with less damage to the machine and the worksite.



YANMAR's Patented Hydraulic Quick Coupler

The standard hydraulic quick coupler makes changing buckets fast and easy. With the exception of fitting and removing the safety lock pin, the entire operation is performed electronically while you're seated in the comfort of the cab. Less hassle. Less downtime. More productivity.



A Cab With Everything At Your Fingertips

The new ViO55-6A comes standard with ECO Mode, Auto-Decel Mode, lever-controlled backfill blade and 2-speed operation incorporated right into the operator's station. Plus you get an innovative LCD monitor, showing key operating information and maintenance notification intervals.

ViO55-6A

POWERFUL, EFFICIENT
47.6 HP TIER 4 FINAL
YANMAR DIESEL ENGINE

VIO PROGRESSIVE
3-PUMP HYDRAULIC
SYSTEM (VIPPS)

EASY-TO-OPERATE
JOYSTICK CONTROLS
WITH ARMRESTS
REDUCE OPERATOR
FATIGUE

SPRING STEEL
CYLINDER ROD GUARDS
AND HOSE PROTECTION

4-PILLAR ROPS/FOPS
CANOPY FOR SAFETY

INTEGRATED BOOM
LIGHT PROTECTS
FROM DAMAGE

EASY MAINTENANCE
ACCESS TO EVERY
MAJOR COMPONENT

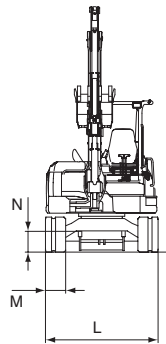
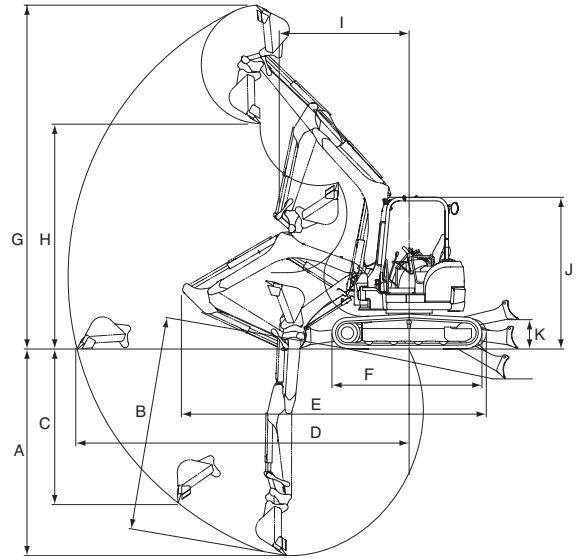
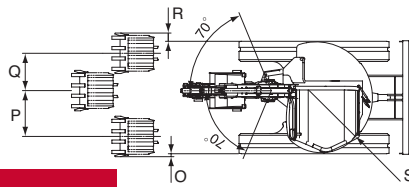
ANGLED CRAWLER FRAME
REDUCES FOREIGN
MATTER BUILD-UP

OPTIONAL PTO2
CIRCUIT AVAILABLE

OPTIONAL ENCLOSED
CAB WITH HEAT & A/C



Vi055-6A



Dimensions - Vi055-6A

A 12'9.5" (3,900 mm)	K 1'8" (500 mm)
B 13'6" (4,120 mm)	L 6'6" (1,990 mm)
C 8'5" (2,560 mm)	M 1'4" (400 mm)
D 20'2" (6,140 mm)	N 1'2" (345 mm)
E 18'4" (5,580 mm)	O 1.4" (35 mm)
F 8'6" (2,590 mm)	P 2'3" (680 mm)
G 19'10" (6,060 mm)	Q 2'6" (770 mm)
H 13'3" (4,050 mm)	R 5" (125 mm)
I 7'9" (2,370 mm)	S R3'3" (R995 mm)
J 8'4" (2,540 mm)	

Specifications

Model		Vi055-6A	
Type		Canopy	Cabin
Operating Weight	Rubber Track	lbs (t)	11,850 (5.38)
	Steel Track	lbs (t)	12,247 (5.55)
Engine	Type	Water-cooled 4-cylinder diesel	
	Model	YANMAR 4TNV86CT-PBV	
	Output	HP (kW)/rpm	47.6 (35.5) / 2,400
Performance	Max Digging Force, Bucket / Arm	lbs (kN)	9,419 (41.9)* / 5,485 (24.4)*
	Traveling Speed, High / Low	MPH (km / h)	2.6 / 1.4 (4.2 / 2.2)
	Swing Speed	RPM	10
	Boom Swing Angle, (L / R)	degrees	68° / 68°
Ground Contact Pressure	Rubber Track	PSI (kPa)	4.17 (28.8)
	Steel Track	PSI (kPa)	4.25 (29.3)
Hydraulic System	Pump Capacity	GPM (L / min)	12 + 12 + 9.7 + 2.8 (42.5 + 42.5 + 37 + 10.8)
	Main Relief Set Pressure	PSI (MPa)	3,553 x 3 + 566 (24.5 x 3 + 3.9)
Blade Dimensions	Width x Height	ft-in (mm)	6'6" x 14" (1,970 x 400)
Fuel tank capacity		Gals (L)	17.4 (66)

*without quick coupler

Standard Equipment

- Blade
- Boom Swing
- Rubber Tracks
- Hydraulic Quick Coupler
- 2-way Pattern Control
- Arm End Auxiliary Valve
- Cylinder Rod Guards (boom, arm, bucket, blade)
- ROPS / FOPS Cabin or Canopy
- Windshield Washer (cabin spec)
- Defroster (cabin spec)
- Joystick Pilot Controls
- Arm Rests (adjustable)
- Suspension and Reclining Seat
- Seat Belt
- Traveling Levers and Pedals
- Traveling Alarm
- Built-in Type Boom Light
- Exterior Canopy or Cabin Work Light
- Operation Manual

*Also available without Quick Coupler.

Please note that the standard equipment may vary from this list. Consult your YANMAR dealer for confirmation.

Hydraulic PTO

Model	Vi055-6A		
	Output	PSI (MPa)	GPM (L / min)
			2,200RPM
Specification			
Combined Flow, Double Actions	3553 (24.5)	21.8 (82.8)	12 (45.8)

Lifting Capacity

LIFT POINT HEIGHT in (mm)	(R) LIFT RADIUS in (mm)											
	RATED LIFT CAPACITY OVER END BLADE DOWN				RATED LIFT CAPACITY OVER END BLADE UP				RATED LIFT CAPACITY OVER SIDE BLADE DOWN			
	lbs (kg)				lbs (kg)				lbs (kg)			
	MAX	157.5 (4,000)	118.1 (3,000)	78.7 (2,000)	MAX	157.5 (4,000)	118.1 (3,000)	78.7 (2,000)	MAX	157.5 (4,000)	118.1 (3,000)	78.7 (2,000)
157.5 (4,000)	2,403 (1,090)				2,290 (1,040)				1,763 (800)			
118.1 (3,000)	2,358 (1,070)	2,314 (1,050)			1,543 (700)	1,829 (830)			1,322 (600)	1,587 (720)		
78.7 (2,000)	2,425 (1,100)	2,645 (1,200)	3,306 (1,500)		1,300 (590)	1,719 (780)	3,152 (1,430)		1,146 (520)	1,587 (720)	2,425 (1,100)	
39.4 (1,000)	2,535 (1,150)	3,042 (1,380)	4,365 (1,980)		1,256 (570)	1,675 (760)	2,535 (1,150)		1,124 (510)	1,499 (680)	2,204 (1,000)	
Ground (0)	2,579 (1,170)	3,284 (1,490)	4,585 (2,080)	6,459 (2,930)	1,300 (590)	1,587 (720)	2,358 (1,070)	4,166 (1,890)	1,102 (500)	1,366 (620)	2,028 (920)	3,351 (1,520)
-39.4 (-1,000)	2,667 (1,210)	2,910 (1,320)	4,232 (1,920)	6,393 (2,900)	1,521 (690)	1,587 (720)	2,403 (1,090)	4,387 (1,990)	1,322 (600)	1,344 (610)	1,984 (900)	3,571 (1,620)
-78.7 (-2,000)	2,535 (1,150)		2,954 (1,340)		2,601 (1,180)		2,469 (1,120)		1,940 (880)		2,116 (960)	